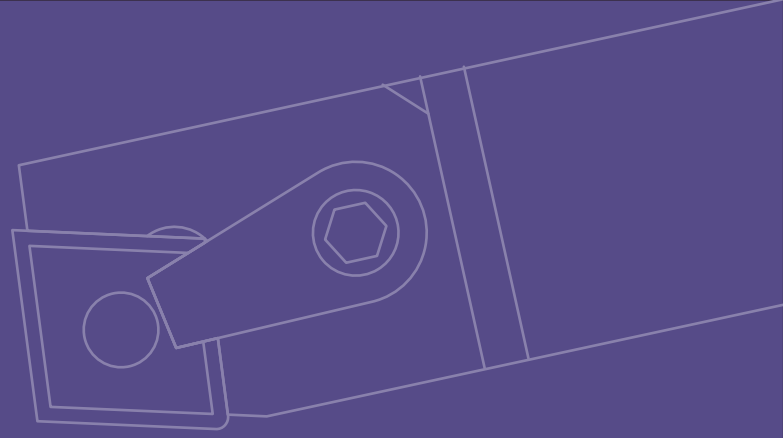


三井  
SHAN GIN



# 外徑車刀

TOOLHOLDERS



BORING BARS  
內徑車刀

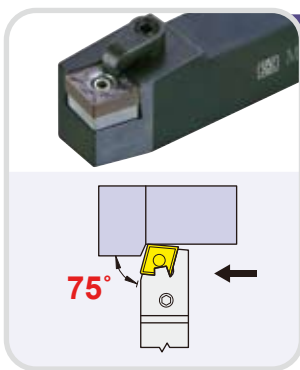
TOOLHOLDERS  
外徑車刀

THREADING & GROOVING  
牙刀 & 開槽刀

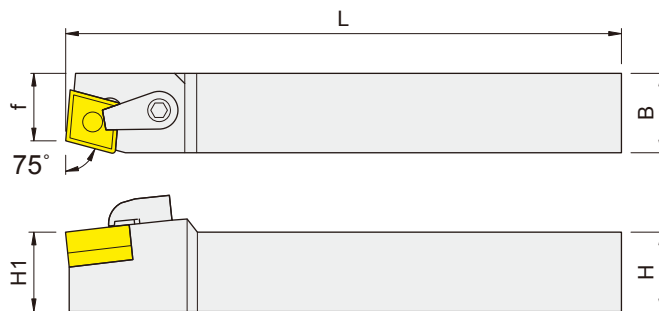
MILLING  
銑刀

BORING TOOLS COMPONENTS  
孔加工

SPARE PARTS  
配件

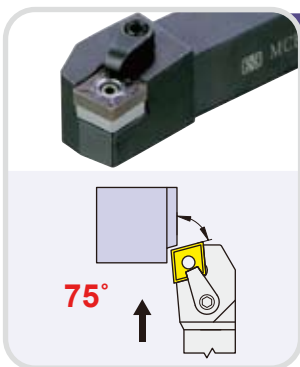


## MCBN

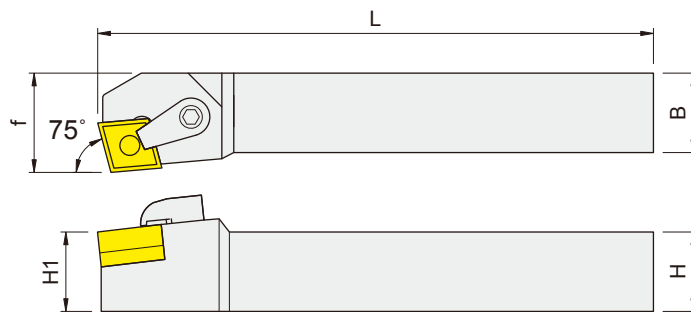


Right-hand shown

Item code	Dimensions,mm					Insert	Pin	Shim	Wrench	Screw	Clamp	Wrench
	H	B	L	H1	f							
MCBNR/L-2020K-12	20	20	125	20	17	CN..1204..	MLP46	CMS432	PL25	MS625	MC620	PL30
MCBNR/L-2525M-12	25	25	150	25	22					MS630		
MCBNR/L-3232P-12	32	32	170	32	29							

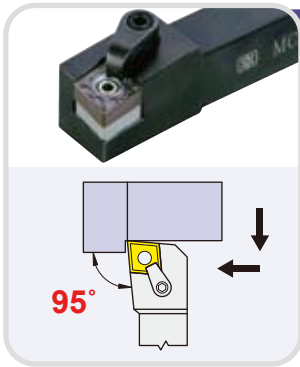


## MCKN

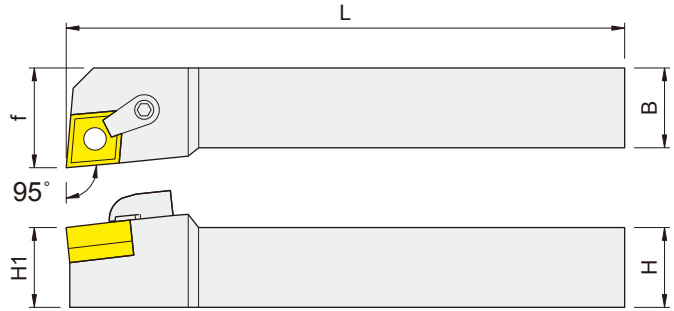


Right-hand shown

Item code	Dimensions,mm					Insert	Pin	Shim	Wrench	Screw	Clamp	Wrench
	H	B	L	H1	f							
MCKNR/L-1616K-12	16	16	125	16	20	CN..1204..	MLP46	CMS432	PL25	MS625	MC620	PL30
MCKNR/L-2020K-12	20	20	125	20	25					MS630		
MCKNR/L-2525M-12	25	25	150	25	32							
MCKNR/L-3232P-12	32	32	170	32	40							

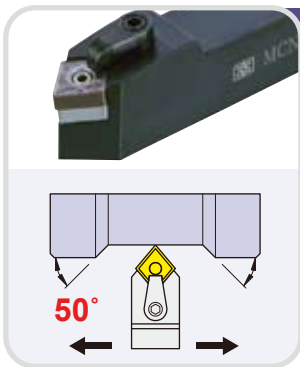


## MCLN

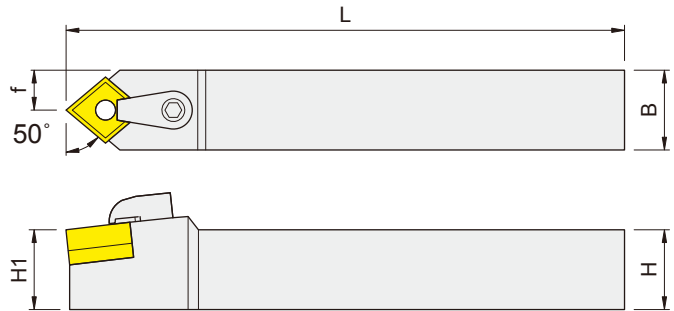


Right-hand shown

Item code	Dimensions,mm					Insert	Pin	Shim	Wrench	Screw	Clamp	Wrench
	H	B	L	H1	f							
MCLNR/L-1616K-12	16	16	125	16	20	CN..1204..	MLP46	CMS432	PL25	MS625	MC620	PL30
MCLNR/L-2020K-12	20	20	125	20	25							
MCLNR/L-2525M-12	25	25	150	25	32					MS630		
MCLNR/L-3232P-12	32	32	170	32	40							



## MCNN



Item code	Dimensions,mm					Insert	Pin	Shim	Wrench	Screw	Clamp	Wrench
	H	B	L	H1	f							
MCNNN-1616K-12	16	16	125	16	8	CN..1204..	MLP46	CMS432	PL25	MS625	MC620	PL30
MCNNN-2020K-12	20	20	125	20	10							
MCNNN-2525M-12	25	25	150	25	12.5					MS630		
MCNNN-3232P-12	32	32	170	32	16							

内徑車刀  
BORING BARS

外徑車刀  
TOOLHOLDERS

牙刀 & 開槽刀  
THREADING & GROOVING

銑刀  
MILLING

孔加工  
BORING TOOLS COMPONENTS

配件  
SPARE PARTS

BORING BARS  
內徑車刀

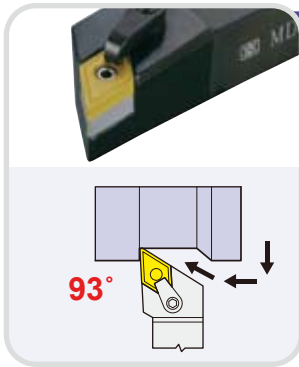
TOOLHOLDERS  
外徑車刀

THREADING & GROOVING  
牙刀 & 開槽刀

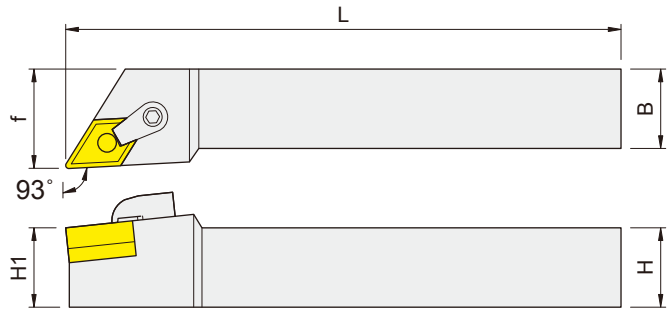
MILLING  
銑刀

BORING TOOLS COMPONENTS  
孔加工

SPARE PARTS  
配件



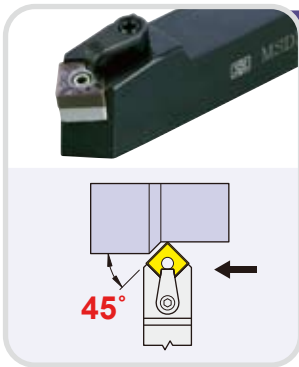
## MDJN



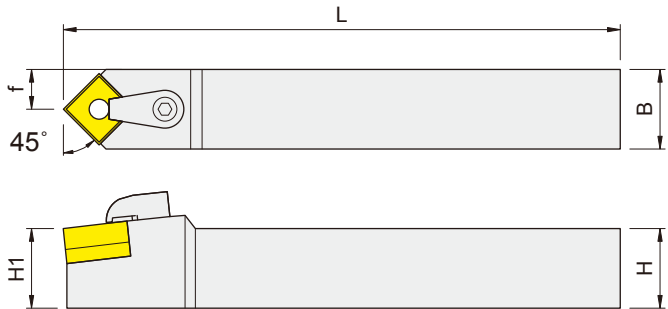
Right-hand shown

Item code	Dimensions,mm					Insert	Pin	Shim	Wrench	Screw	Clamp	Wrench
	H	B	L	H1	f							
<b>MDJNR/L-2020K-15</b>	20	20	125	20	25	DN..1504..	MLP46L	DMS442	PL25	MS625	MC622	PL30
<b>MDJNR/L-2525M-15</b>	25	25	150	25	32					MS630		
<b>MDJNR/L-2020K-1506</b>	20	20	125	20	25	DN..1506..	MLP46L	DMS432	PL25	MS625	MC622	PL30
<b>MDJNR/L-2525M-1506</b>	25	25	150	25	32					MS630		

※此刀架本體共用

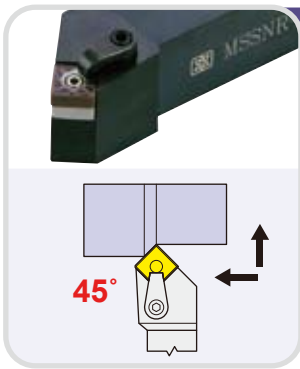


## MSDN

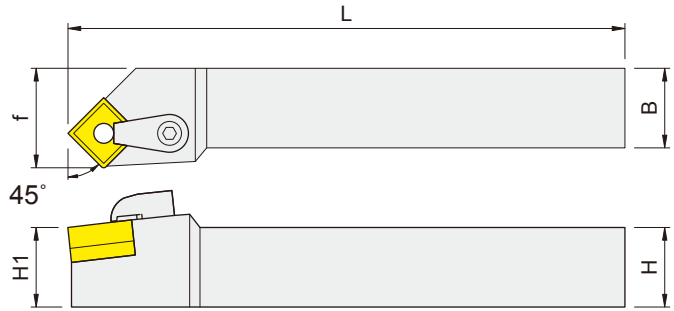


Right-hand shown

Item code	Dimensions,mm					Insert	Pin	Shim	Wrench	Screw	Clamp	Wrench
	H	B	L	H1	f							
<b>MSDNN-2020K-12</b>	20	20	125	20	10	SN..1204..	MLP46	SMS432	PL25	MS625	MC620	PL30
<b>MSDNN-2525M-12</b>	25	25	150	25	12.5					MS630		

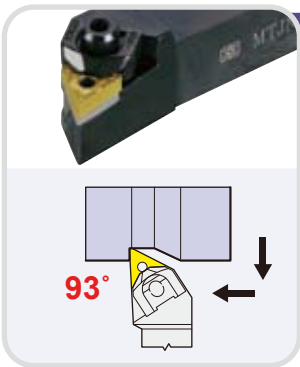


## MSSN

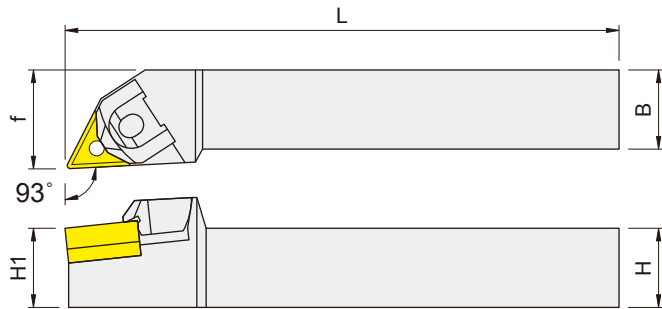


Right-hand shown

Item code	Dimensions,mm					Insert	Pin	Shim	Wrench	Screw	Clamp	Wrench
	H	B	L	H1	f							
MSSNR-1616K-12	16	16	125	16	20	SN..1204..	MLP46	SMS432	PL25	MS625	MC620	PL30
MSSNR/L-2020K-12	20	20	125	20	25					MS630		
MSSNR/L-2525M-12	25	25	150	25	32							



## MTJN



Right-hand shown

Item code	Dimensions,mm					Insert	Pin	Screw	Wrench	Shim	Clamp	Wrench
	H	B	L	H1	f							
MTJNR/L-1216K-16	12	16	125	16	21	TN..1604..	MCP3	MCS3S-11	PL30	TWS322	MCW3-P40	PL40
MTJNR/L-1616K-16	16	16	125	16	21							
MTJNR/L-2020K-16	20	20	125	20	25							
MTJNR/L-2525M-16	25	25	150	25	32							
MTJNR/L-3232P-16	32	32	170	32	40							

内徑車刀  
BORING BARS

外徑車刀  
TOOLHOLDERS

牙刀 & 開槽刀  
THREADING & GROOVING

銑刀  
MILLING

孔加工  
BORING TOOLS COMPONENTS

配件  
SPARE PARTS

BORING BARS  
內徑車刀

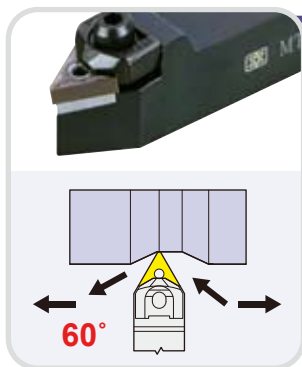
TOOLHOLDERS  
外徑車刀

THREADING & GROOVING  
牙刀 & 開槽刀

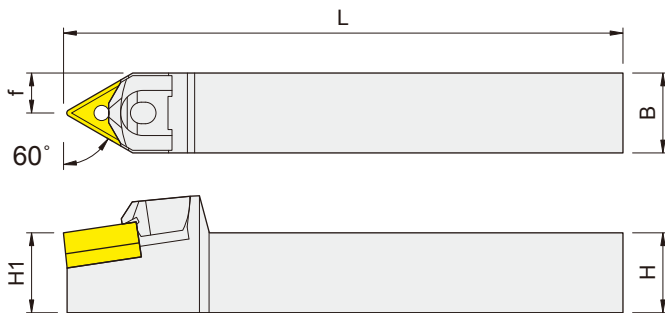
MILLING  
銑刀

BORING TOOLS COMPONENTS  
孔加工

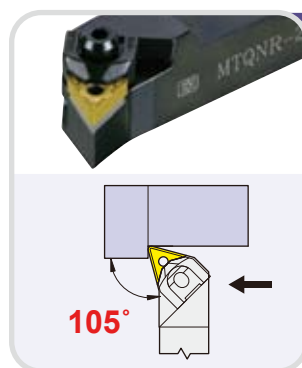
SPARE PARTS  
配件



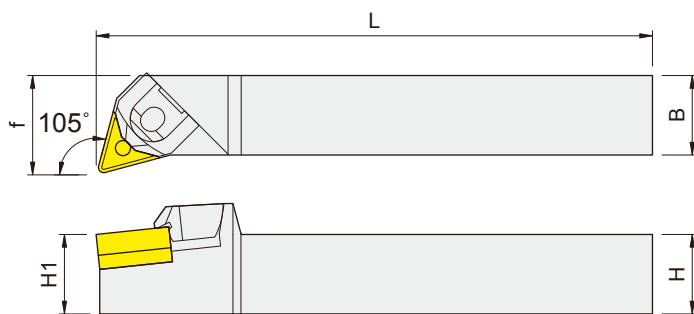
## MTEN



Item code	Dimensions,mm					Insert	Pin	Screw	Wrench	Shim	Clamp	Wrench
	H	B	L	H1	f							
<b>MTENN-1216K-16</b>	12	16	125	16	8	TN..1604..	MCP3	MCS3S-08	PL30	TWS322	MCW3-P40	PL40
<b>MTENN-1616K-16</b>	16	16	125	16	8							
<b>MTENN-2020K-16</b>	20	20	125	20	10							
<b>MTENN-2525M-16</b>	25	25	150	25	12.5							



## MTQN

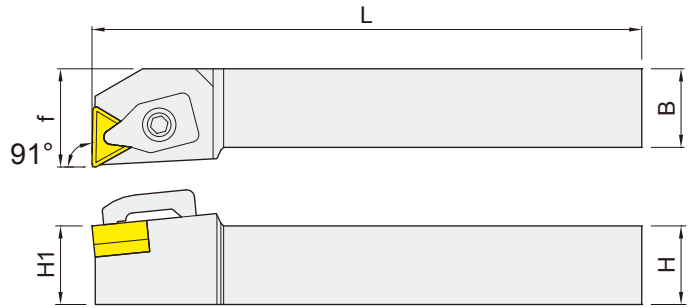


Right-hand shown

Item code	Dimensions,mm					Insert	Pin	Screw	Wrench	Shim	Clamp	Wrench
	H	B	L	H1	f							
<b>MTQNR/L-2020K-16</b>	20	20	125	20	25	TN..1604..	MCP3	MCS3S-11	PL30	TWS322	MCW3-P40	PL40
<b>MTQNR/L-2525M-16</b>	25	25	150	25	32							

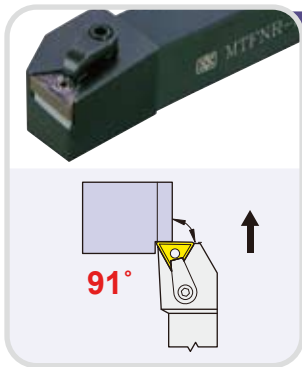


## DTFN

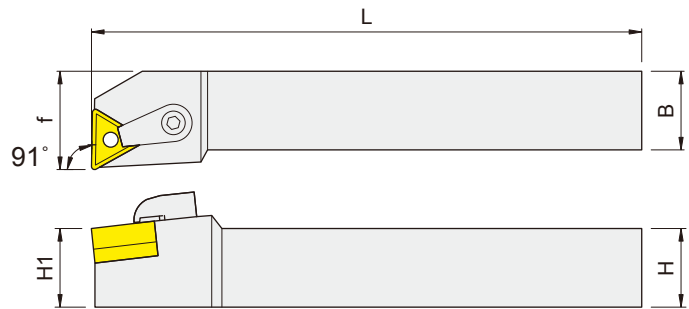


Right-hand shown

Item code	Dimensions,mm					Insert	Shim	Screw	Wrench	Clamp	Wrench
	H	B	L	H1	f						
<b>DTFNR/L-1616K-16</b>	16	16	125	16	20	TN..1604..	TWS322	MS4008ES	PL25	MCD324	PL40
<b>DTFNR/L-2020K-16</b>	20	20	125	20	25						
<b>DTFNR/L-2525M-16</b>	25	25	150	25	32						



## MTFN



Right-hand shown

Item code	Dimensions,mm					Insert	Pin	Shim	Wrench	Screw	Clamp	Wrench
	H	B	L	H1	f							
<b>MTFNR-1616K-16</b>	16	16	125	16	20	TN..1604..	MLP34L	TMS322	PL20	MS625	MC620	PL30
<b>MTFNR-2020K-16</b>	20	20	125	20	25							
<b>MTFNR-2525M-16</b>	25	25	150	25	32					MS630		

内徑車刀  
BORING BARS

外徑車刀  
TOOLHOLDERS

牙刀 & 開槽刀  
THREADING & GROOVING

銑刀  
MILLING

孔加工  
BORING TOOLS COMPONENTS

配件  
SPARE PARTS

BORING BARS  
內徑車刀

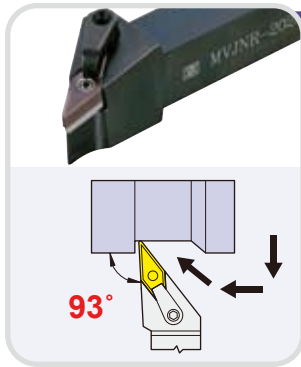
TOOLHOLDERS  
外徑車刀

THREADING & GROOVING  
牙刀 & 開槽刀

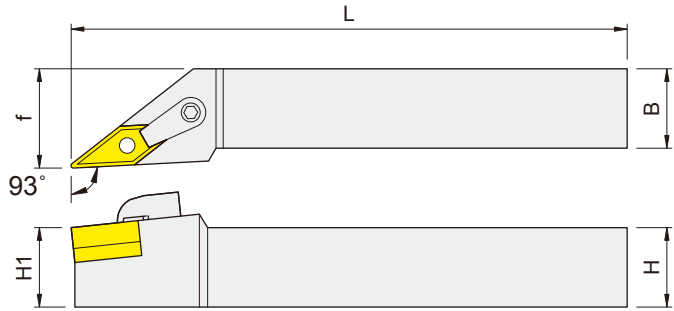
MILLING  
銑刀

BORING TOOLS COMPONENTS  
孔加工

SPARE PARTS  
配件

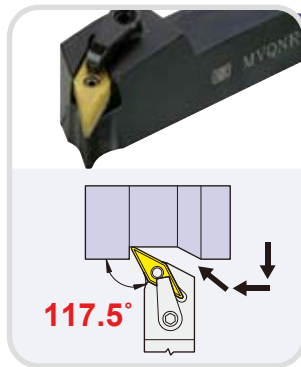


## MVJN

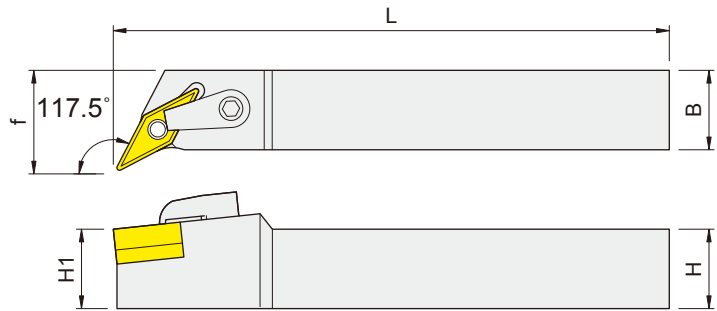


Right-hand shown

Item code	Dimensions,mm					Insert	Pin	Shim	Wrench	Screw	Clamp	Wrench
	H	B	L	H1	f							
<b>MVJNR/L-1616K-16</b>	16	16	125	16	21	VN..1604..	MLP34L	VMS322	PL20	MS625	MC622	PL30
<b>MVJNR/L-2020K-16</b>	20	20	125	20	25							
<b>MVJNR/L-2525M-16</b>	25	25	150	25	32					MS630		



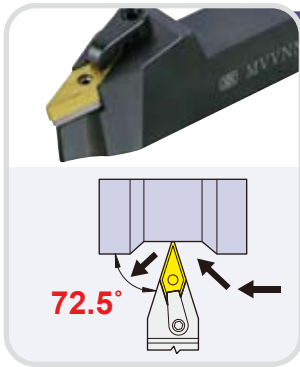
## MVQN



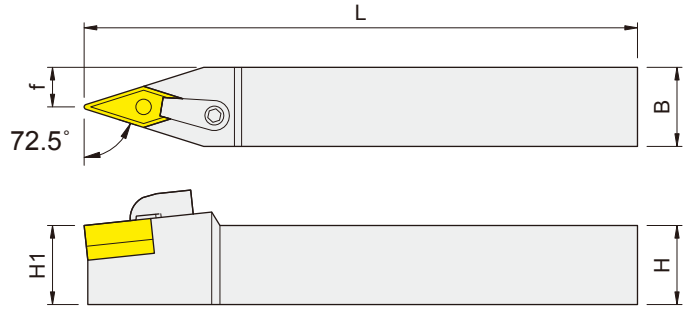
Right-hand shown

Item code	Dimensions,mm					Insert	Pin	Shim	Wrench	Screw	Clamp	Wrench
	H	B	L	H1	f							
<b>MVQNR/L-2020K-16</b>	20	20	125	20	25	VN..1604..	MLP34L	VMS322	PL20	MS625	MC622	PL30
<b>MVQNR/L-2525M-16</b>	25	25	150	25	32					MS630		

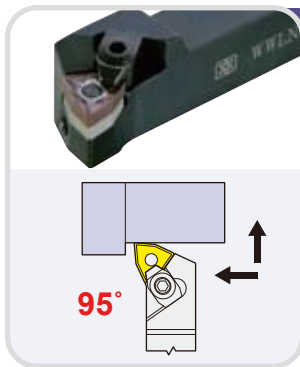




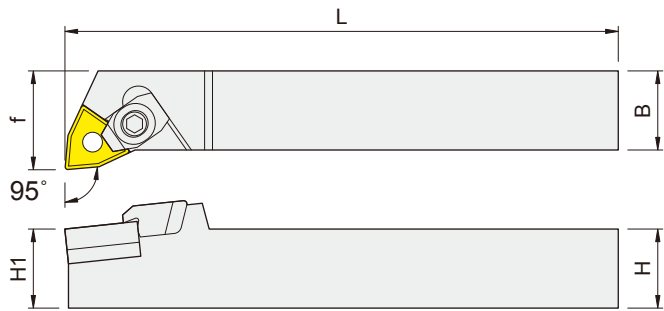
## MVVN



Item code	Dimensions,mm					Insert	Pin	Shim	Wrench	Screw	Clamp	Wrench
	H	B	L	H1	f							
<b>MVVNN-1616K-16</b>	16	16	125	16	8	VN..1604..	MLP34L	VMS322	PL20	MS625	MC622	PL30
<b>MVVNN-2020K-16</b>	20	20	125	20	10							
<b>MVVNN-2525M-16</b>	25	25	150	25	12.5					MS630		



## WWLN



Right-hand shown

Item code	Dimensions,mm					Insert	Pin	Shim	Wrench	Clamp	Wrench
	H	B	L	H1	f						
<b>WWLNL-2020K-08</b>	20	20	125	20	25	WN..0804..	SCP418	WMS432	PL30	WCW6-P4	PL40
<b>WWLNL-2525M-08</b>	25	25	150	25	32						

Item code	Dimensions,mm					Insert	Pin	Screw	Wrench	Shim	Clamp	Wrench
	H	B	L	H1	f							
<b>WWLNR-2020K-08</b>	20	20	125	20	25	WN..0804..	MCP4	MCS3S-08	PL30	WMS432	WCW6-P4	PL40
<b>WWLNR-2525M-08</b>	25	25	150	25	32							

内徑車刀  
BORING BARS

外徑車刀  
TOOLHOLDERS

牙刀 & 開槽刀  
THREADING & GROOVING

銑刀  
MILLING

孔加工  
BORING TOOLS COMPONENTS

配件  
SPARE PARTS

BORING BARS  
內徑車刀

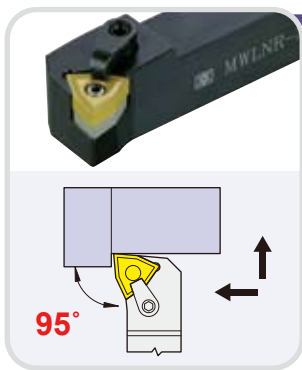
TOOLHOLDERS  
外徑車刀

THREADING & GROOVING  
牙刀 & 開槽刀

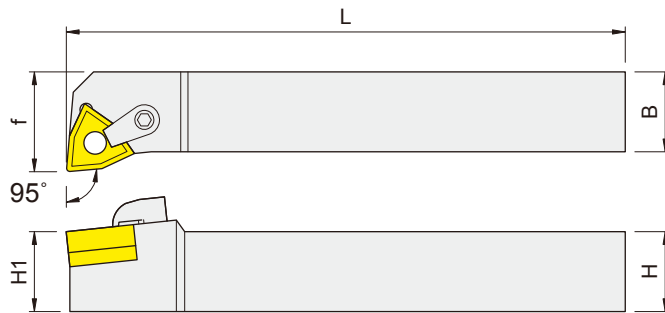
MILLING  
銑刀

BORING TOOLS COMPONENTS  
孔加工

SPARE PARTS  
配件

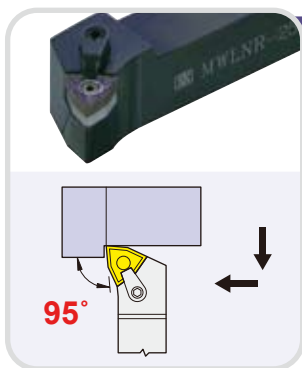


## MWLN

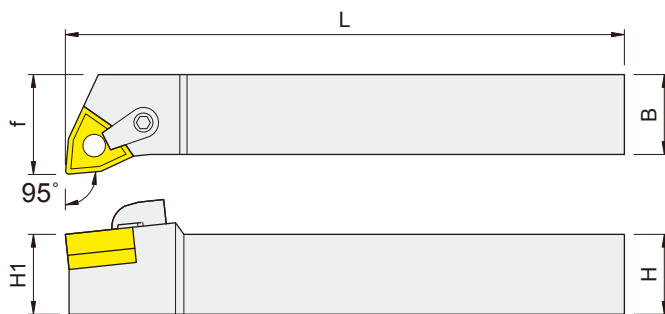


Right-hand shown

Item code	Dimensions,mm					Insert	Pin	Shim	Wrench	Screw	Clamp	Wrench
	H	B	L	H1	f							
MWLN/L-2020K-08	20	20	125	20	25	WN..0804..	MLP46	WMS432	PL25	MS625	MC620	PL30
MWLN/L-2525M-08	25	25	150	25	32					MS630		

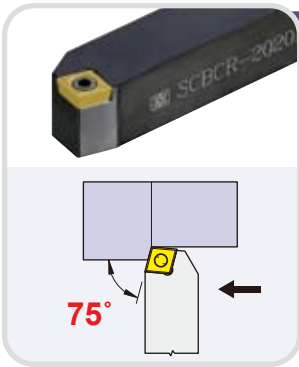


## MWLN-N

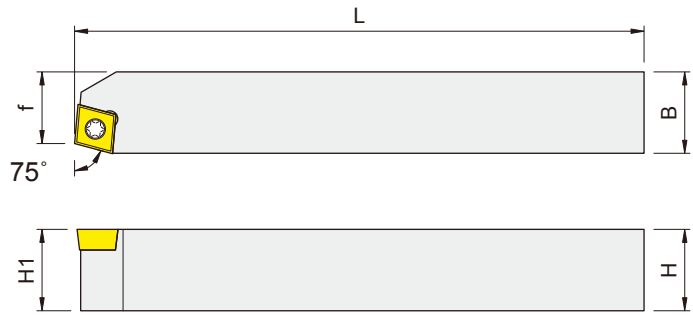


Right-hand shown



Item code	Dimensions,mm					Insert	Pin	Shim	Wrench	Screw	Clamp	Wrench
	H	B	L	H1	f							
MWLN/L-2020K-08N	20	20	125	20	25	WN..0804..	MLP46	WMS432	PL25	MS625	MC620	PL30
MWLN/L-2525M-08N	25	25	150	25	32					MS630		

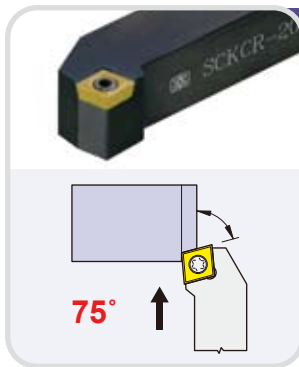


## SCBC

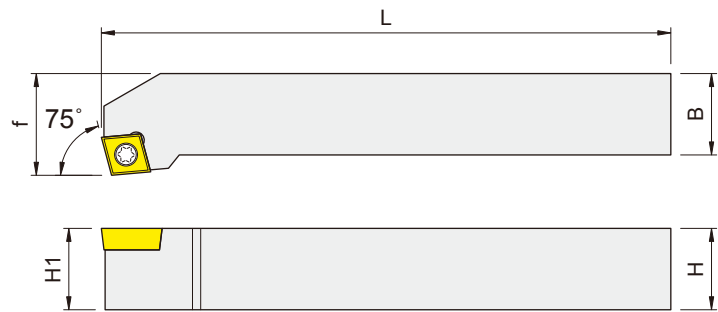


Right-hand shown


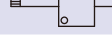
Item code	Dimensions,mm					Insert	Screw 	Wrench 
	H	B	L	H1	f			
<b>SCBCR/L-2020K-09</b>	20	20	125	20	17.5	CC..09T3..	MS4011A	TF15



## SCKC



Right-hand shown

Item code	Dimensions,mm					Insert	Screw 	Wrench 
	H	B	L	H1	f			
<b>SCKCR/L-1212K-09</b>	12	12	125	12	16	CC..09T3..	MS4011A	TF15
<b>SCKCR/L-1616K-09</b>	16	16	125	16	20			
<b>SCKCR/L-2020K-09</b>	20	20	125	20	25			
<b>SCKCR/L-2525M-09</b>	25	25	150	25	32			

内徑車刀  
BORING BARS

外徑車刀  
TOOLHOLDERS

牙刀 & 開槽刀  
THREADING & GROOVING

銑刀  
MILLING

孔加工  
BORING TOOLS COMPONENTS

配件  
SPARE PARTS

BORING BARS  
內徑車刀

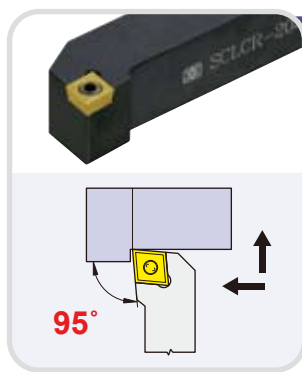
TOOLHOLDERS  
外徑車刀

THREADING & GROOVING  
牙刀 & 開槽刀

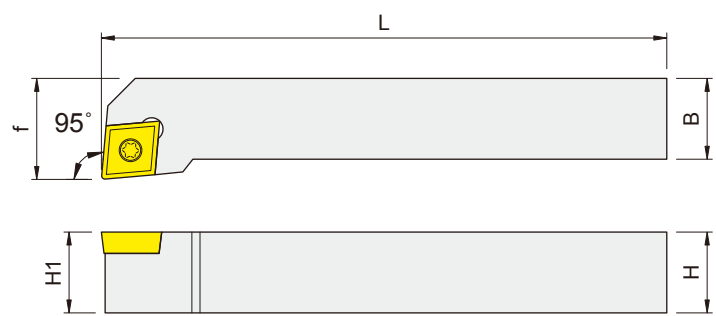
MILLING  
銑刀

BORING TOOLS COMPONENTS  
孔加工


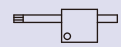
SPARE PARTS  
配件

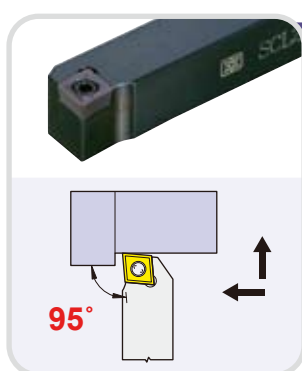


## SCLC

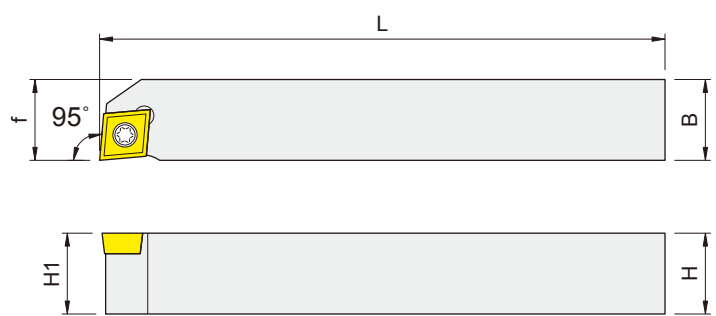


Right-hand shown

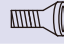
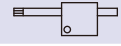
Item code	Dimensions,mm					Insert	Screw 	Wrench 
	H	B	L	H1	f			
<b>SCLCR/L-1010H-06</b>	10	10	100	10	12	CC..0602..	MS2506A	TF9
<b>SCLCR/L-1010K-06</b>	10	10	125	10	12			
<b>SCLCR/L-1212H-09</b>	12	12	100	12	16	CC..09T3..	MS4011A	TF15
<b>SCLCR/L-1212K-09</b>	12	12	125	12	16			
<b>SCLCR/L-1616K-09</b>	16	16	125	16	20			
<b>SCLCR/L-2020K-09</b>	20	20	125	20	25			
<b>SCLCR/L-2525M-09</b>	25	25	150	25	32	CC..1204..	MS5011A	TF20
<b>SCLCR/L-2020K-12</b>	20	20	125	20	25			
<b>SCLCR/L-2525M-12</b>	25	25	150	25	32			

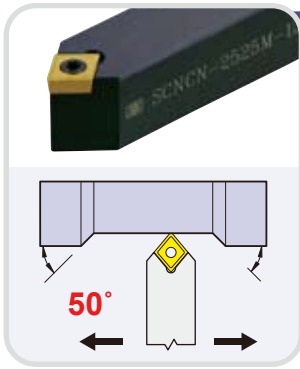


## SCL2C

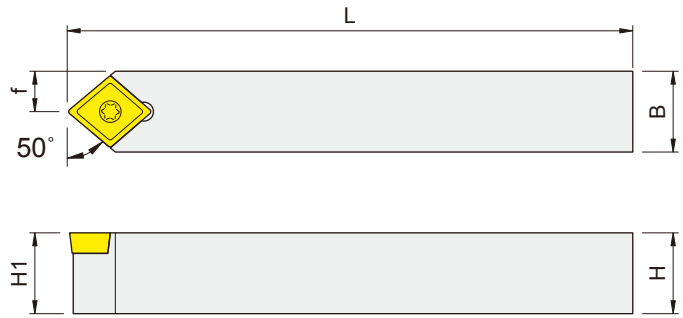


Right-hand shown

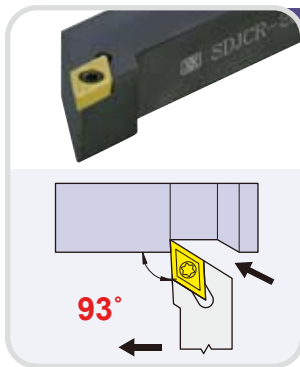
Item code	Dimensions,mm					Insert	Screw 	Wrench 
	H	B	L	H1	f			
<b>SCL2CR/L-1010H-06</b>	10	10	100	10	10	CC..0602..	MS2506A	TF9
<b>SCL2CR/L-1212H-09</b>	12	12	100	12	12	CC..09T3..	MS4011A	TF15
<b>SCL2CR/L-1616K-09</b>	16	16	125	16	16			
<b>SCL2CR/L-2020K-09</b>	20	20	125	20	25			



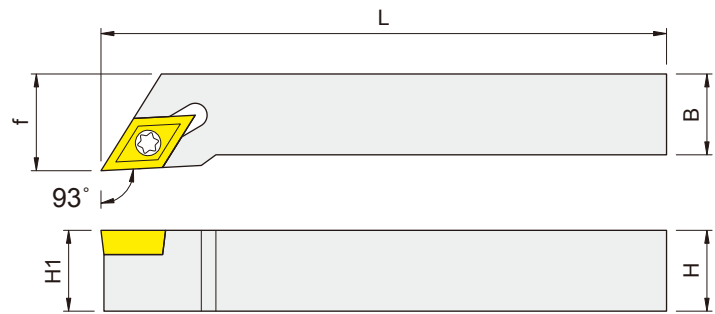
## SCNC



Item code	Dimensions,mm					Insert	Screw	Wrench
	H	B	L	H1	f			
SCNCN-1616K-06	16	16	125	16	8	CC..0602..	MS2506A	TF9
SCNCN-1212K-09	12	12	125	12	6	CC..09T3..	MS4011A	TF15
SCNCN-1616K-09	16	16	125	16	8			
SCNCN-2020K-09	20	20	125	20	10			
SCNCN-2525M-09	25	25	150	25	12.5			
SCNCN-2020K-12	20	20	125	20	10	CC..1204..	MS5011A	TF20
SCNCN-2525M-12	25	25	150	25	12.5			



## SDJC



Right-hand shown

Item code	Dimensions,mm					Insert	Screw	Wrench
	H	B	L	H1	f			
SDJCR/L-1010H-07	10	10	100	10	12	DC..0702..	MS2506A	TF9
SDJCR/L-1212H-07	12	12	100	12	16			
SDJCR/L-1212K-07	12	12	125	12	16			
SDJCR/L-1616K-07	16	16	125	16	20			
SDJCR/L-2020K-07	20	20	125	20	25			
SDJCR/L-1212H-11	12	12	100	12	16	DC..11T3..	MS4009A	TF15
SDJCR/L-1212K-11	12	12	125	12	16			
SDJCR/L-1616K-11	16	16	125	16	20			
SDJCR/L-2020K-11	20	20	125	20	25			
SDJCR/L-2525M-11	25	25	150	25	32			

内徑車刀  
BORING BARS

外徑車刀  
TOOLHOLDERS

牙刀 & 開槽刀  
THREADING & GROOVING

銑刀  
MILLING

孔加工  
BORING TOOLS COMPONENTS

配件  
SPARE PARTS

BORING BARS  
BORING 車刀

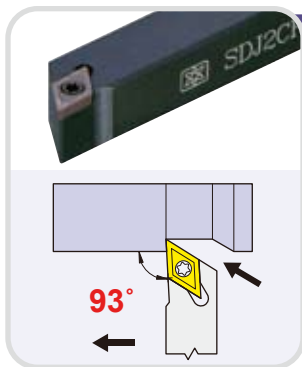
TOOLHOLDERS  
外徑車刀

THREADING & GROOVING  
牙刀 & 開槽刀

MILLING  
銑刀

BORING TOOLS COMPONENTS  
孔加工

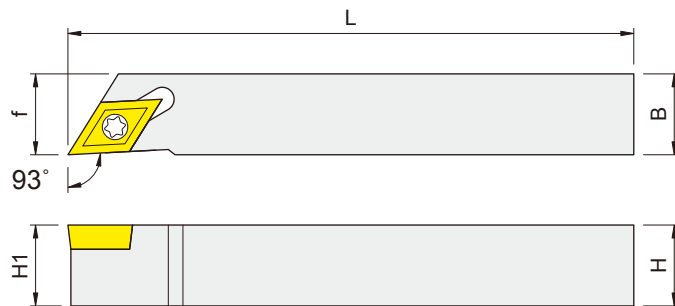
SPARE PARTS  
配件




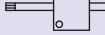
## SDJ2C

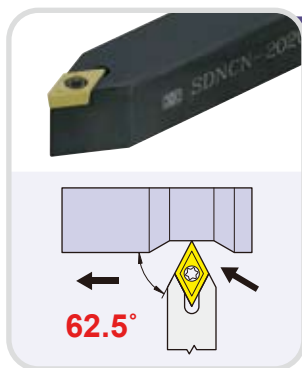


SDJ2CR-1010H/K-11

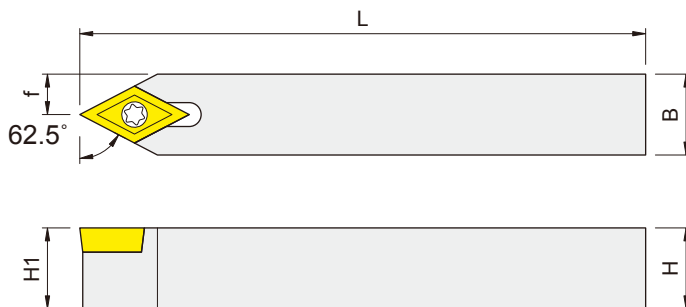



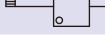
Right-hand shown

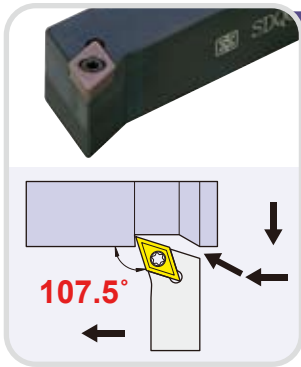
Item code	Dimensions,mm					Insert	Screw 	Wrench 
	H	B	L	H1	f			
SDJ2CR/L-1010H-07	10	10	100	10	10	DC..0702..	MS2506A	TF9
SDJ2CR/L-1212H-07	12	12	100	12	12			
SDJ2CR/L-1212K-07	12	12	125	12	12			
SDJ2CR/L-1616K-07	16	16	125	16	16			
SDJ2CR/L-2020K-07	20	20	125	20	20			
SDJ2CR/L-2525M-07	25	25	150	25	25			
SDJ2CR-1010H-11	10	10	100	10	10	DC..11T3..	MS4009A	TF15
SDJ2CR-1010K-11	10	10	125	10	10			
SDJ2CR/L-1212H-11	12	12	100	12	12			
SDJ2CR/L-1616K-11	16	16	125	16	16			
SDJ2CR/L-2020K-11	20	20	125	20	20			
SDJ2CR/L-2525M-11	25	25	150	25	25			
SDJ2CR/L-3232P-11	32	32	170	32	32			



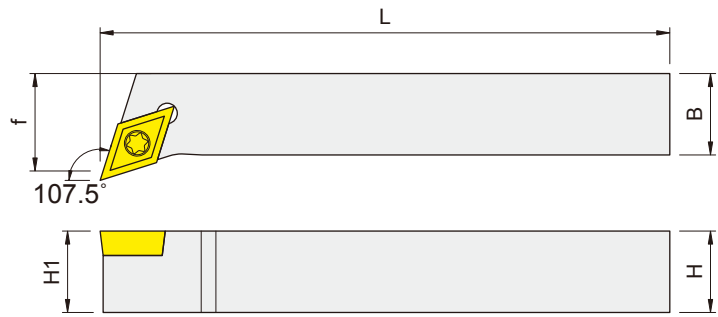
## SDNC





Item code	Dimensions,mm					Insert	Screw 	Wrench 
	H	B	L	H1	f			
SDNCN-1010H-07	10	10	100	10	5	DC..0702..	MS2506A	TF9
SDNCN-1212H-07	12	12	100	12	6			
SDNCN-1616K-07	16	16	125	16	8			
SDNCN-1212H-11	12	12	100	12	6	DC..11T3..	MS4009A	TF15
SDNCN-1212K-11	12	12	125	12	6			
SDNCN-1616K-11	16	16	125	16	8			
SDNCN-2020K-11	20	20	125	20	10			
SDNCN-2525M-11	25	25	150	25	12.5			

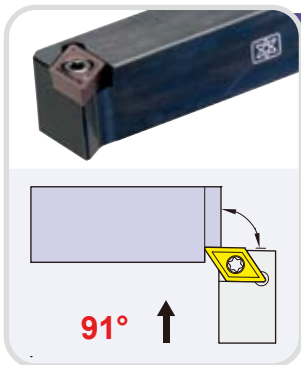


## SDQC

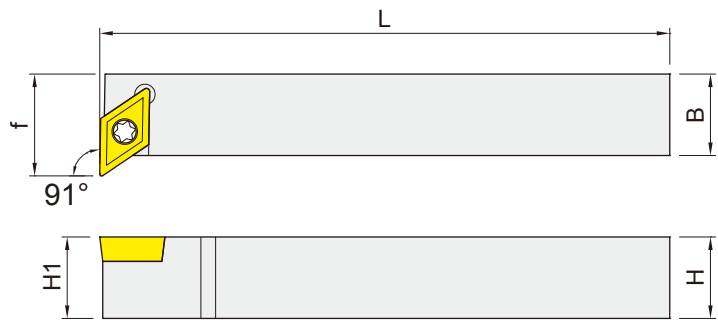


Right-hand shown



Item code	Dimensions,mm					Insert	Screw 	Wrench 
	H	B	L	H1	f			
SDQCR/L-1212H-11	12	12	100	12	16	DC..11T3..	MS4009A	TF15
SDQCR/L-1616K-11	16	16	125	16	20			
SDQCR/L-2020K-11	20	20	125	20	25			
SDQCR/L-2525M-11	25	25	150	25	32			



## SDFC



Right-hand shown

Item code	Dimensions,mm					Insert	Screw 	Wrench 
	H	B	L	H1	f			
SDFCR/L-1212K-07	12	12	125	12	16	DC..0702..	MS2506A	TF9
SDFCR/L-1212K-11	12	12	125	12	19	DC..11T3..	MS4009A	TF15
SDFCR/L-1616K-11	16	16	125	16	20			

內徑車刀  
BORING BARS

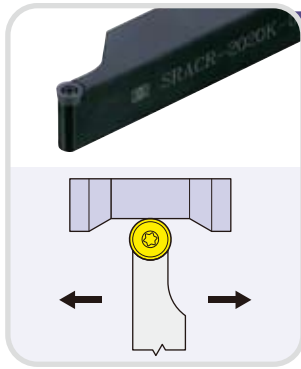
外徑車刀  
TOOLHOLDERS

牙刀 & 開槽刀  
THREADING & GROOVING

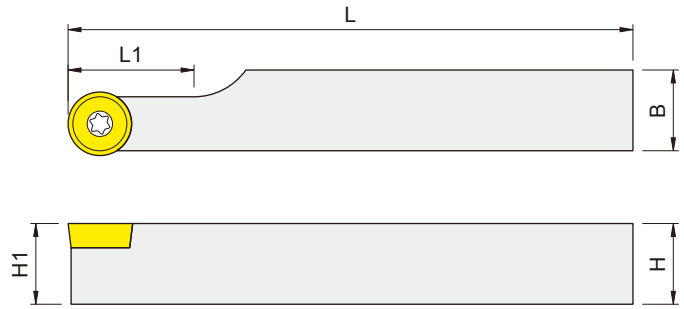
銑刀  
MILLING

孔加工  
BORING TOOLS COMPONENTS


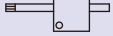
配件  
SPARE PARTS



## SRAC



Right-hand shown

Item code	Dimensions,mm					Insert	Screw 	Wrench 
	H	B	L	H1	L1			
<b>SRACR/L-1010H-05</b>	10	10	100	10	10.5	RCMT0502	MS2206A	TF7
<b>SRACR/L-1212H-05</b>	12	12	100	12	10.5			
<b>SRACR/L-1616K-05</b>	16	16	125	16	10.5			
<b>SRACR/L-2020K-05</b>	20	20	125	20	10.5			
<b>SRACR/L-2525M-05</b>	25	25	150	25	10.5			
<b>SRACR/L-1010H-06</b>	10	10	100	10	11	RCMT0602	MS2506A	TF9
<b>SRACR/L-1212H-06</b>	12	12	100	12	11			
<b>SRACR/L-1616K-06</b>	16	16	125	16	11			
<b>SRACR/L-2020K-06</b>	20	20	125	20	11			
<b>SRACR/L-2525M-06</b>	25	25	150	25	11			
<b>SRACR/L-3.4H-08</b>	9.5	12.7	100	9.5	14	RCMT0803	MS3008A	TF9
<b>SRACR/L-4.4H-08</b>	12.7	12.7	100	12.7	14			
<b>SRACR/L-1212K-08</b>	12	12	125	12	14			
<b>SRACR/L-1616K-08</b>	16	16	125	16	14			
<b>SRACR/L-2020K-08</b>	20	20	125	20	15			
<b>SRACR/L-2525M-08</b>	25	25	150	25	15			
<b>SRACR/L-1212K-10</b>	12	12	125	12	20	RCMT1003	MS3008A	TF9
<b>SRACR/L-1616K-10</b>	16	16	125	16	20			
<b>SRACR/L-2020K-10</b>	20	20	125	20	20			
<b>SRACR/L-2525M-10</b>	25	25	150	25	20			

BORING BARS  
內徑車刀

TOOLHOLDERS  
外徑車刀

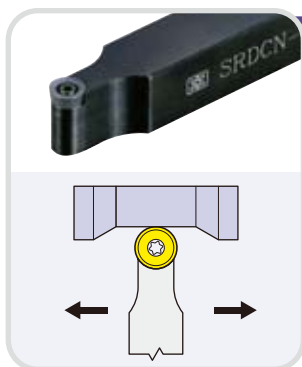
THREADING & GROOVING  
牙刀 & 開槽刀

MILLING  
銑刀

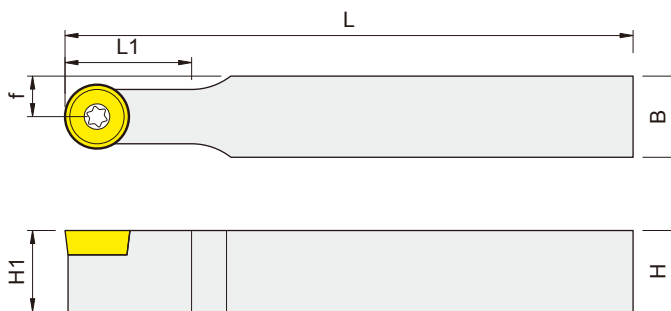
BORING TOOLS COMPONENTS  
孔加工

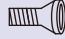
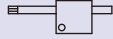
SPARE PARTS  
配件

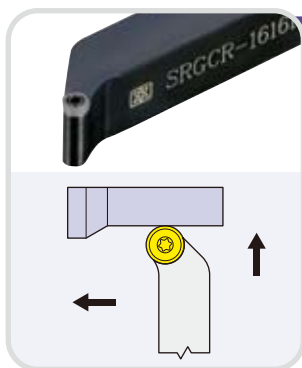




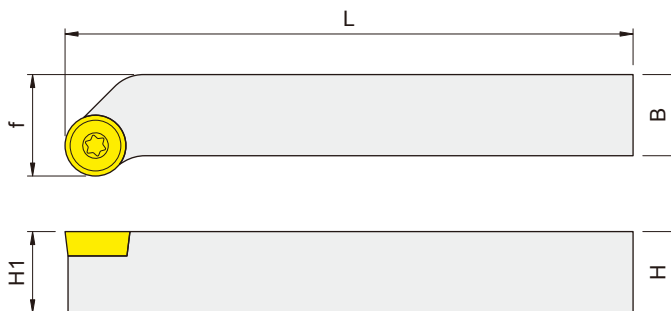
## SRDC



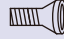
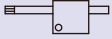
Item code	Dimensions,mm						Insert	Screw 	Wrench 
	H	B	L	H1	f	L1			
SRDCN-1010H-05	10	10	100	10	5	10.5	RCMT0502	MS2205A	TF7
SRDCN-1212H-05	12	12	100	12	6	10.5			
SRDCN-1616K-05	16	16	125	16	8	10.5			
SRDCN-2020K-05	20	20	125	20	10	10.5			
SRDCN-2525M-05	25	25	150	25	12.5	10.5			
SRDCN-1010H-06	10	10	100	10	5	12	RCMT0602	MS2506A	TF9
SRDCN-1212H-06	12	12	100	12	6	12			
SRDCN-1616K-06	16	16	125	16	8	12			
SRDCN-2020K-06	20	20	125	20	10	12			
SRDCN-2525M-06	25	25	150	25	12.5	12			
SRDCN-1012H-08	10	12	100	10	6	12	RCMT0803	MS3008A	TF9
SRDCN-1212H-08	12	12	100	12	6	12			
SRDCN-1616K-08	16	16	125	16	8	12			
SRDCN-2020K-08	20	20	125	20	10	12			
SRDCN-2525M-08	25	25	150	25	12.5	12			



## SRGC



Right-hand shown

Item code	Dimensions,mm					Insert	Screw 	Wrench 
	H	B	L	H1	f			
SRGCR/L-1212K-06	12	12	125	12	16	RCMT0602	MS2506A	TF9
SRGCR/L-1616K-06	16	16	125	16	20			
SRGCR/L-2020K-06	20	20	125	20	25			
SRGCR/L-1616K-08	16	16	125	16	20	RCMT0803	MS3008A	TF9
SRGCR-2525M-08	25	25	150	25	32			

内徑車刀  
BORING BARS

外徑車刀  
TOOLHOLDERS

牙刀 & 開槽刀  
THREADING & GROOVING

銑刀  
MILLING

孔加工  
BORING TOOLS COMPONENTS

配件  
SPARE PARTS

BORING BARS  
內徑車刀

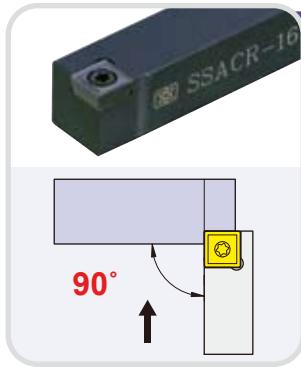
TOOLHOLDERS  
外徑車刀

THREADING & GROOVING  
牙刀 & 開槽刀

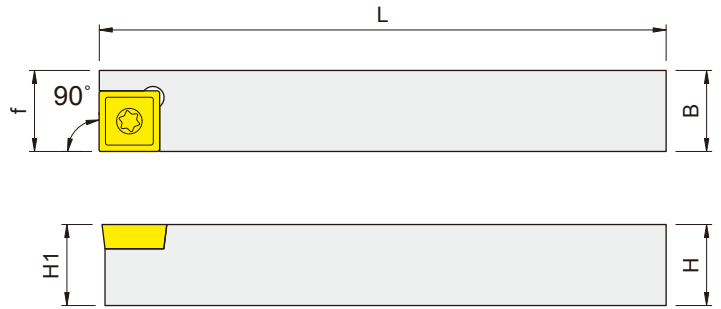
MILLING  
銑刀

BORING TOOLS COMPONENTS  
孔加工


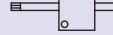
SPARE PARTS  
配件

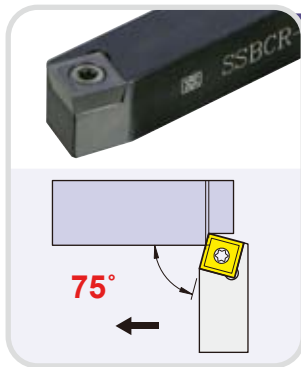


## SSAC

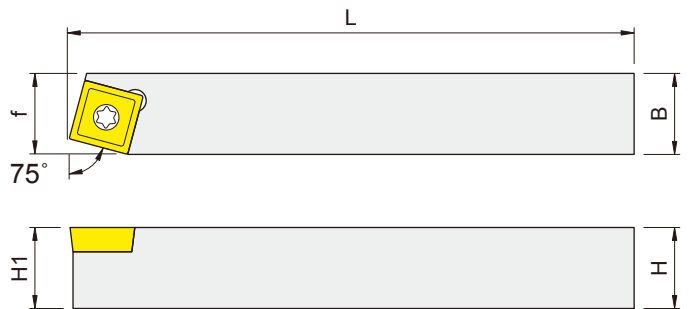


Right-hand shown


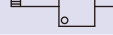
Item code	Dimensions,mm					Insert	Screw 	Wrench 
	H	B	L	H1	f			
<b>SSACR/L-3.4H-09</b>	9.5	12.7	100	9.5	12.7	SC..09T3..	MS4009A	TF15
<b>SSACR/L-4.4H-09</b>	12.7	12.7	100	12.7	12.7	SC..09T3..	MS4011A	TF15
<b>SSACR-1212H-09</b>	12	12	100	12	12			
<b>SSACR/L-1616K-09</b>	16	16	125	16	16			

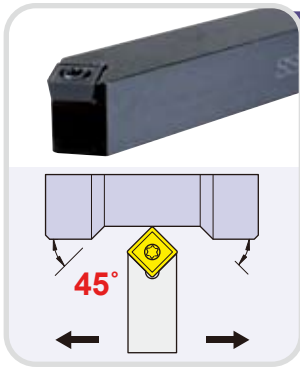


## SSBC

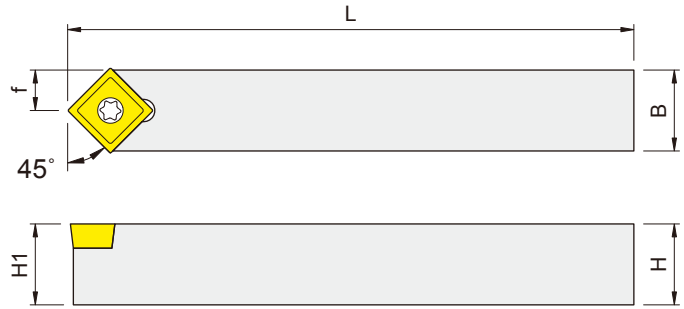




Right-hand shown

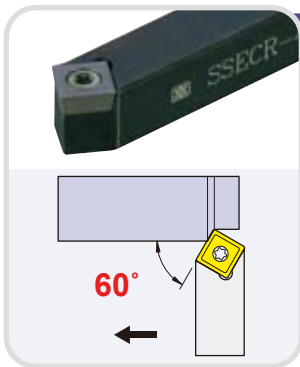
Item code	Dimensions,mm					Insert	Screw 	Wrench 
	H	B	L	H1	f			
<b>SSBCR/L-3.4H-09</b>	9.5	12.7	100	9.5	12.7	SC..09T3..	MS4009A	TF15
<b>SSBCR/L-4.4H-09</b>	12.7	12.7	100	12.7	12.7	SC..09T3..	MS4011A	TF15
<b>SSBCR/L-1212H-09</b>	12	12	100	12	12			



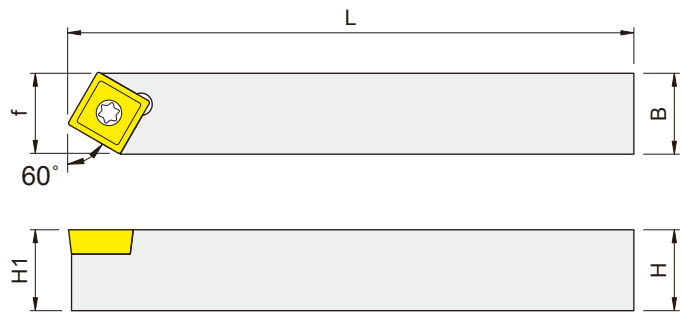
## SSDC




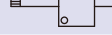
Item code	Dimensions,mm					Insert	Screw 	Wrench 
	H	B	L	H1	f			
<b>SSDCN-3.4H-09</b>	9.5	12.7	100	9.5	6.35	SC..09T3..	MS4009A	TF15
<b>SSDCN-4.4H-09</b>	12.7	12.7	100	12.7	6.35	SC..09T3..	MS4011A	TF15
<b>SSDCN-1212H-09</b>	12	12	100	12	6			
<b>SSDCN-1616K-09</b>	16	16	125	16	8			
<b>SSDCN-2020K-09</b>	20	20	125	20	10			
<b>SSDCN-2525M-09</b>	25	25	150	25	12.5			



## SSEC



Right-hand shown

Item code	Dimensions,mm					Insert	Screw 	Wrench 
	H	B	L	H1	f			
<b>SSECR/L-3.4H-09</b>	9.5	12.7	100	9.5	12.7	SC..09T3..	MS4009A	TF15
<b>SSECR/L-4.4H-09</b>	12.7	12.7	100	12.7	12.7	SC..09T3..	MS4011A	TF15
<b>SSECR/L-1212H-09</b>	12	12	100	12	12			

內徑車刀  
BORING BARS

外徑車刀  
TOOLHOLDERS

牙刀 & 開槽刀  
THREADING & GROOVING

銑刀  
MILLING

孔加工  
BORING TOOLS COMPONENTS

配件  
SPARE PARTS

內徑車刀  
BORING BARS

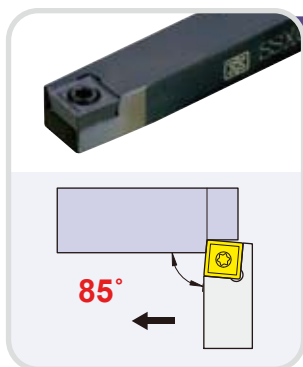
外徑車刀  
TOOLHOLDERS

牙刀 & 開槽刀  
THREADING & GROOVING

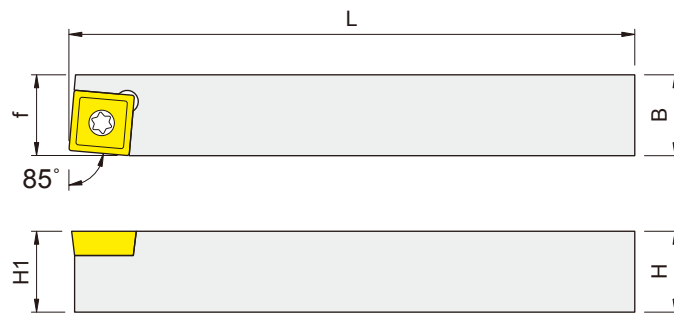
銑刀  
MILLING

孔加工  
BORING TOOLS COMPONENTS


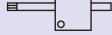
配件  
SPARE PARTS

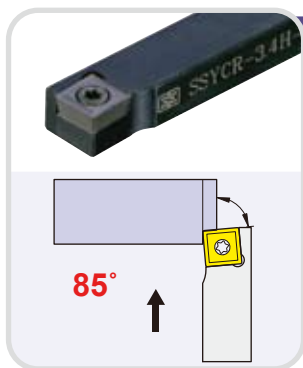


## SSXC

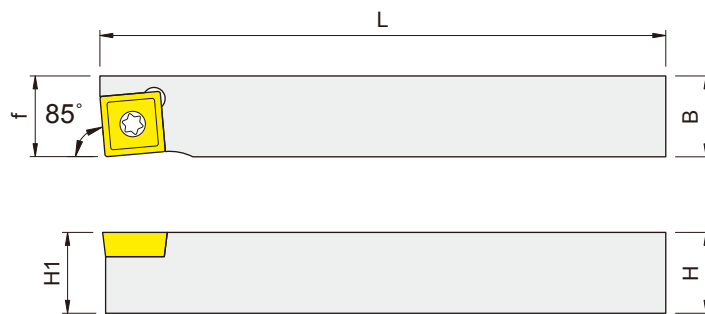


Right-hand shown



Item code	Dimensions,mm					Insert	Screw 	Wrench 
	H	B	L	H1	f			
<b>SSXCR-3.4H-09</b>	9.5	12.7	100	9.5	12.7	SC..09T3..	MS4009A	TF15

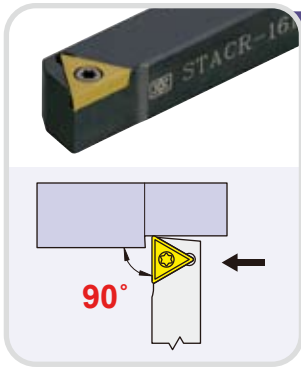


## SSYC

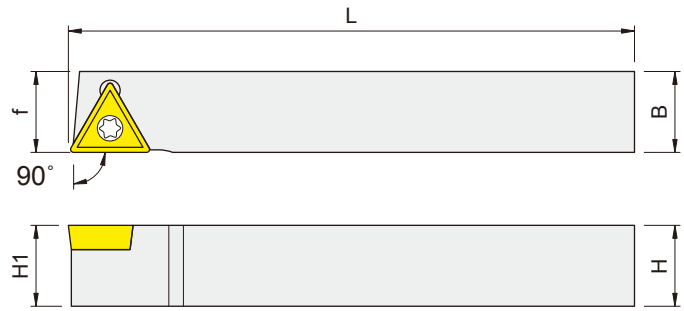


Right-hand shown



Item code	Dimensions,mm					Insert	Screw 	Wrench 
	H	B	L	H1	f			
<b>SSYCR/L-3.4H-09</b>	9.5	12.7	100	9.5	12.7	SC..09T3..	MS4009A	TF15

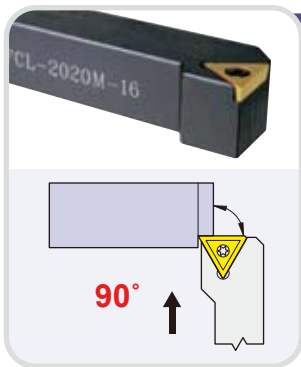


## STAC

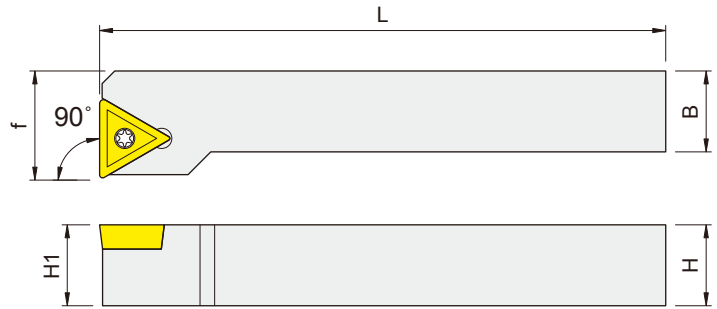


Right-hand shown


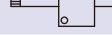
Item code	Dimensions,mm					Insert	Screw 	Wrench 
	H	B	L	H1	f			
STACR-1010H-11	10	10	100	10	10	TC..1102..	MS2506A	TF9
STACR-1212H-11	12	12	100	12	12			
STACR-1616K-11	16	16	125	16	16			
STACR-3.4H-11	9.5	12.7	100	9.5	12.7			
STACR-4.4H-11	12.7	12.7	100	12.7	12.7			
STACR-1616K-16	16	16	125	16	16	TC..16T3..	MS4011A	TF15



## STFC



Right-hand shown

Item code	Dimensions,mm					Insert	Screw 	Wrench 
	H	B	L	H1	f			
STFCR/L-2020K-16	20	20	125	20	25	TC..16T3..	MS4011A	TF15
STFCR/L-2525M-16	25	25	150	25	32			

内徑車刀  
BORING BARS

外徑車刀  
TOOLHOLDERS

牙刀 & 開槽刀  
THREADING & GROOVING

銑刀  
MILLING

孔加工  
BORING TOOLS COMPONENTS

配件  
SPARE PARTS

BORING BARS  
內徑車刀

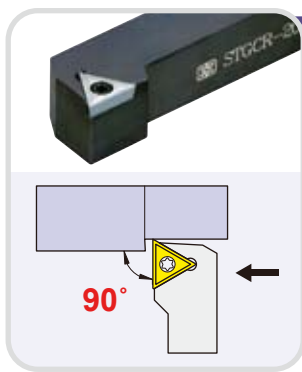
TOOLHOLDERS  
外徑車刀

THREADING & GROOVING  
牙刀 & 開槽刀

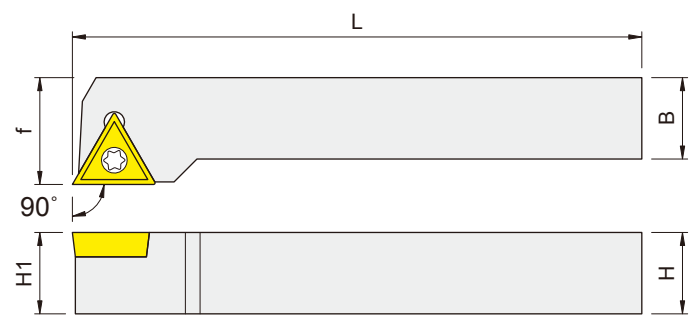
MILLING  
銑刀

BORING TOOLS COMPONENTS  
孔加工


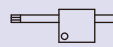
SPARE PARTS  
配件

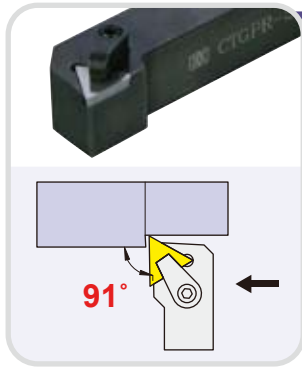


## STGC

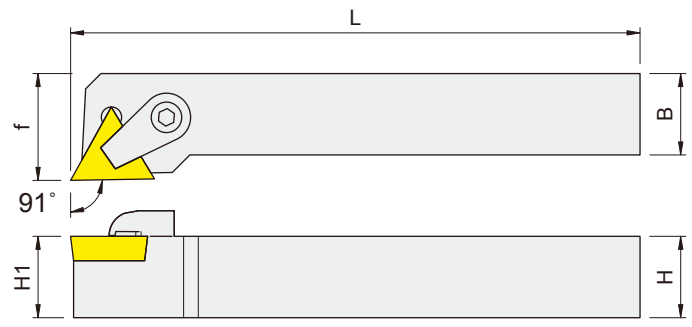


Right-hand shown




Item code	Dimensions,mm					Insert	Screw 	Wrench 
	H	B	L	H1	f			
<b>STGCR-1212H-16</b>	12	12	100	12	16	TC..16T3..	MS4011A	TF15
<b>STGCR-1616K-16</b>	16	16	125	16	20			
<b>STGCR-2020K-16</b>	20	20	125	20	25			
<b>STGCR-2525M-16</b>	25	25	150	25	32			

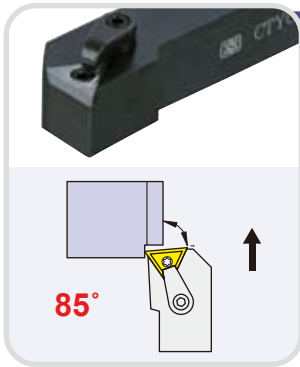


## CTGP

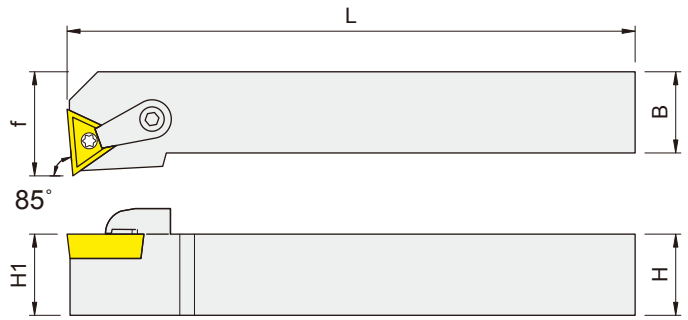


Right-hand shown


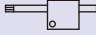



Item code	Dimensions,mm					Insert	Screw 	Clamp 	Wrench 
	H	B	L	H1	f				
<b>CTGPR-1616K-16</b>	16	16	125	16	20	TP.N1603..	MS625	MC620	PL30
<b>CTGPR-2020K-16</b>	20	20	125	20	25				
<b>CTGPR-2525M-16</b>	25	25	150	25	32		MS630		



## CTYC

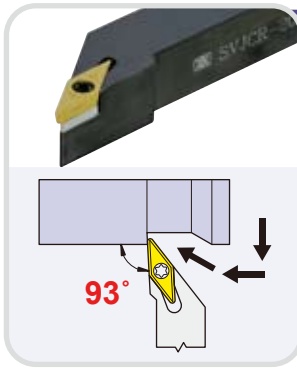


Right-hand shown

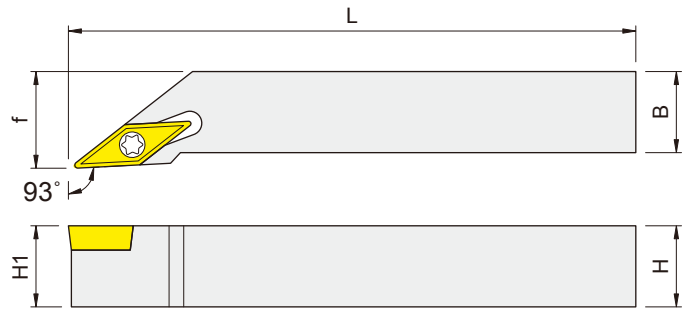
Item code	Dimensions,mm					Insert	Screw	Wrench	Screw	Clamp	Wrench
	H	B	L	H1	f						
CTYCR/L-2020K-16	20	20	125	20	25	TC..16T3..	MS4011A	TF15	MS625	MC620	PL30

- 内徑車刀  
BORING BARS
- 外徑車刀  
TOOLHOLDERS
- 牙刀 & 開槽刀  
THREADING & GROOVING
- 銑刀  
MILLING
- 孔加工  
BORING TOOLS COMPONENTS
- 配件  
SPARE PARTS

BORING BARS 內徑車刀  
 TOOLHOLDERS 外徑車刀  
 THREADING & GROOVING 牙刀 & 開槽刀  
 MILLING 銑刀  
 BORING TOOLS COMPONENTS 孔加工  
 SPARE PARTS 配件

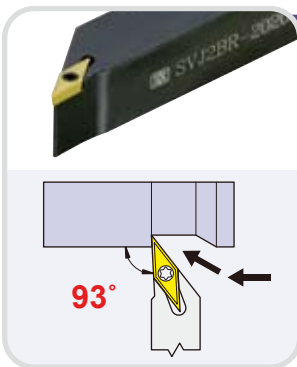


## SVJB/C

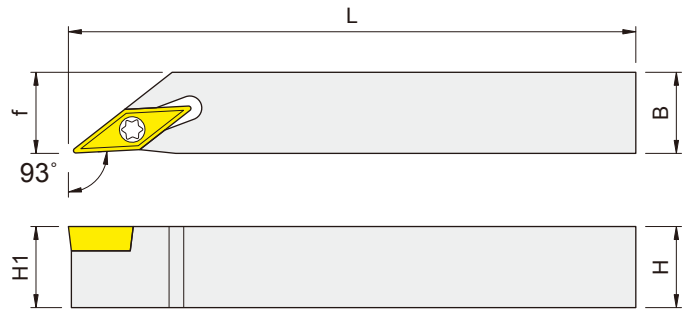


Right-hand shown

Item code	Dimensions,mm					Insert	Shim	Screw	Wrench	Screw	Wrench
	H	B	L	H1	f						
SVJBR/L-1010H-11	10	10	100	10	12	VB..1103..	--	--	--	MS2506A	TF9
SVJBR/L-1212K-11	12	12	125	12	16	VB..1103..	--	--	--	MS2506A	TF9
SVJBR/L-1616K-11	16	16	125	16	20						
SVJBR/L-2020K-11	20	20	125	20	25						
SVJBR/L-2525M-11	25	25	150	25	32						
SVJBR/L-1616K-16	16	16	125	16	20						
SVJBR/L-2020K-16	20	20	125	20	25	VB..1604..	VSS322	MDS5035	PL35	MS3512B	TF15
SVJBR/L-2525M-16	25	25	150	25	32	VC..1103..	--	--	--	MS2506A	TF9
SVJCR/L-1010H-11	10	10	100	10	12						
SVJCR/L-1212K-11	12	12	125	12	16						
SVJCR/L-1616K-11	16	16	125	16	20						
SVJCR/L-2020K-11	20	20	125	20	25						
SVJCR/L-2525M-11	25	25	150	25	32	VC..1604..	VSS322	MDS5035	PL35	MS3512B	TF15
SVJCR/L-1616K-16	16	16	125	16	20	VC..1103..	--	--	--	MS2506A	TF9
SVJCR/L-2020K-16	20	20	125	20	25						
SVJCR/L-2525M-16	25	25	150	25	32						



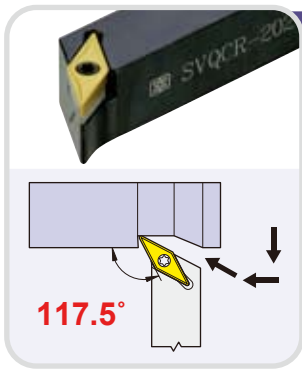
## SVJ2B/C



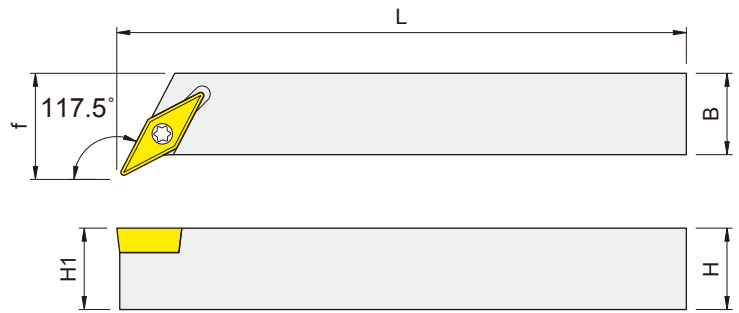
Right-hand shown

Item code	Dimensions,mm					Insert	Shim	Screw	Wrench	Screw	Wrench
	H	B	L	H1	f						
SVJ2BR/L-1010H-11	10	10	100	10	10	VB..1103..	--	--	--	MS2506A	TF9
SVJ2BR/L-1212H-11	12	12	100	12	12	VB..1103..	--	--	--	MS2506A	TF9
SVJ2BR/L-1616K-11	16	16	125	16	16						
SVJ2BR/L-2020K-11	20	20	125	20	20						
SVJ2CR/L-1010H-11	10	10	100	10	10						
SVJ2CR/L-1212H-11	12	12	100	12	12	VC..1103..	--	--	--	MS2506A	TF9
SVJ2CR/L-1616K-11	16	16	125	16	16	VC..1604..	VSS322	MDS5035	PL35	MS3512B	TF15
SVJ2CR/L-2020K-11	20	20	125	20	20						
SVJ2CR/L-1616K-16	16	16	125	16	16						
SVJ2CR/L-2020K-16	20	20	125	20	20						
SVJ2CR/L-2525M-16	25	25	150	25	25						



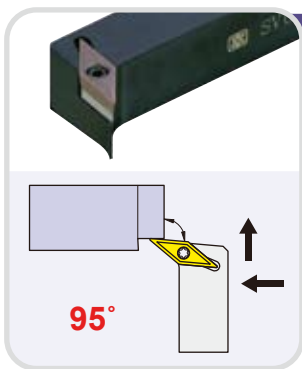


## SVQB/C

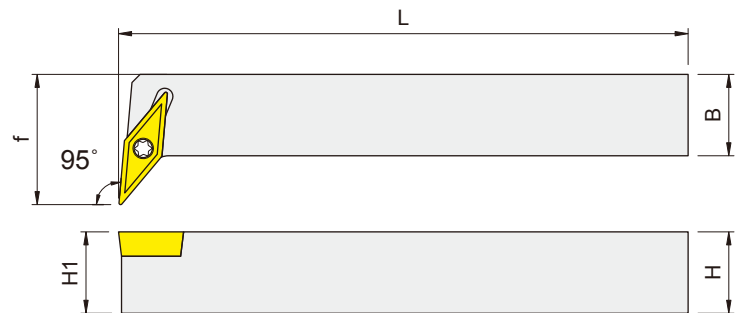


Right-hand shown

Item code	Dimensions,mm					Insert	Shim	Screw	Wrench	Screw	Wrench
	H	B	L	H1	f						
SVQBR/L-1212H-11	12	12	100	12	16	VB..1103..	--	--	--	MS2506A	TF9
SVQBR/L-1616K-11	16	16	125	16	20						
SVQBR/L-2020K-11	20	20	125	20	25						
SVQBR/L-2020K-16	20	20	125	20	25	VB..1604..	VSS322	MDS5035	PL35	MS3512B	TF15
SVQBR/L-2525M-16	25	25	150	25	32						
SVQCR/L-1212H-11	12	12	100	12	16	VC..1103..	--	--	--	MS2506A	TF9
SVQCR/L-1616K-11	16	16	125	16	20						
SVQCR/L-2020K-11	20	20	125	20	25						
SVQCR/L-2020K-16	20	20	125	20	25	VC..1604..	VSS322	MDS5035	PL35	MS3512B	TF15
SVQCR/L-2525M-16	25	25	150	25	32						



## SVUC



Right-hand shown

Item code	Dimensions,mm					Insert	Shim	Screw	Wrench	Screw	Wrench
	H	B	L	H1	f						
SVUCR/L-2020M-16-L12	20	20	150	20	32	VC..1604..	VSS322	MDS5035	PL35	MS3512B	TF15
SVUCR/L-2525M-16-L12	25	25	150	25	37						

内徑車刀  
BORING BARS

外徑車刀  
TOOLHOLDERS

牙刀 & 開槽刀  
THREADING & GROOVING

銑刀  
MILLING

孔加工  
BORING TOOLS COMPONENTS

配件  
SPARE PARTS

BORING BARS  
內徑車刀

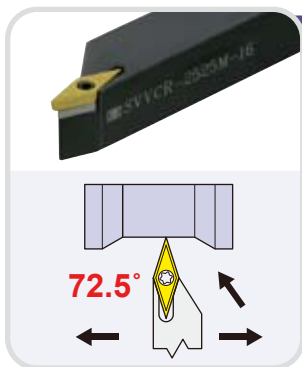
TOOLHOLDERS  
外徑車刀

THREADING & GROOVING  
牙刀 & 開槽刀

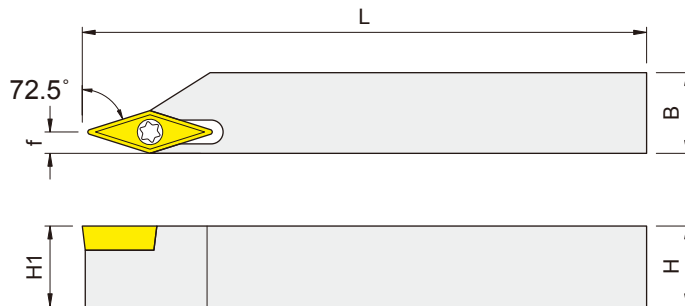
MILLING  
銑刀

BORING TOOLS COMPONENTS  
孔加工

SPARE PARTS  
配件

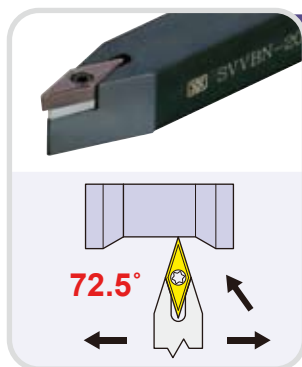


## SVVC

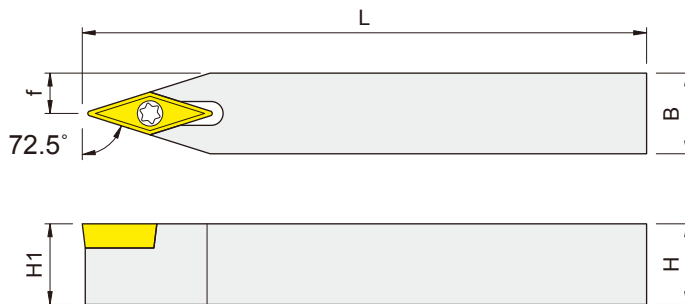


Right-hand shown

Item code	Dimensions,mm					Insert	Shim	Screw	Wrench	Screw	Wrench
	H	B	L	H1	f						
SVVCR-1616K-16	16	16	125	16	5	VC..1604..	VSS322	MDS5035	PL35	MS3512B	TF15
SVVCR-2020K-16	20	20	125	20	5						
SVVCR-2525M-16	25	25	150	25	5						



## SVVB/C



Item code	Dimensions,mm					Insert	Shim	Screw	Wrench	Screw	Wrench
	H	B	L	H1	f						
SVVBN-1010H-11	10	10	100	10	5	VB..1103..	--	--	--	MS2506A	TF9
SVVBN-1212K-11	12	12	125	12	6						
SVVBN-1616K-11	16	16	125	16	8						
SVVBN-2020K-11	20	20	125	20	10						
SVVBN-2525M-11	25	25	150	25	12.5	VB..1604..	VSS322	MDS5035	PL35	MS3512B	TF15
SVVBN-1616K-16	16	16	125	16	8						
SVVBN-2020K-16	20	20	125	20	10						
SVVBN-2525M-16	25	25	150	25	12.5						
SVVCN-1010H-11	10	10	100	10	5	VC..1103..	--	--	--	MS2506A	TF9
SVVCN-1212H-11	12	12	100	12	6						
SVVCN-1616K-11	16	16	125	16	8						
SVVCN-2020K-11	20	20	125	20	10						
SVVCN-2525M-11	25	25	150	25	12.5	VC..1604..	VSS322	MDS5035	PL35	MS3512B	TF15
SVVCN-1616K-16	16	16	125	16	8						
SVVCN-2020K-16	20	20	125	20	10						
SVVCN-2525M-16	25	25	150	25	12.5						



Description	GRADE 材質								Insert Shape	Dimensions,mm			
	UE6020	US735	UC5105	VP15TF	NX2525	HT110	UTi05T	H01		CD10	A	s	d
CNMG120408				●						12.7	4.76	5.16	0.8
CNMG120408MA				○									
CNMG120408MS				○									
DNMG150404MS				○					12.7	4.76	5.16	0.4	
DNMG150408MA									0.8				
SNMG120408MA				○					12.7	4.76	5.16	0.8	
TNMG160404MA				○					9.525	4.76	3.81	0.4	
TNMG160408MA				○					0.8				
VNMG160404				○					9.525	4.76	3.81	0.4	
VNMG160408				○					0.8				
WNMG080408MA				○					12.7	4.76	5.16	0.8	

內徑車刀  
BORING BARS

外徑車刀  
TOOL HOLDERS

牙刀 & 開槽刀  
THREADING & GROOVING

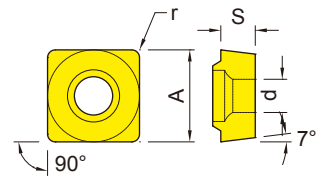
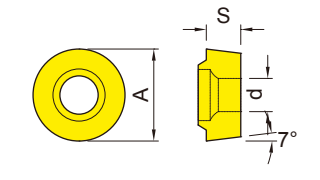
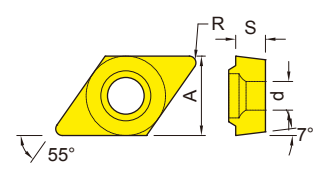
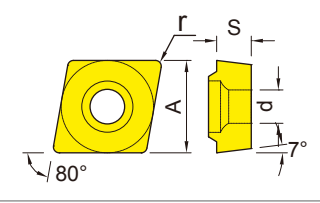
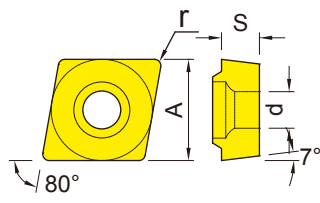
銑刀  
MILLING

孔加工  
BORING TOOLS COMPONENTS

配件  
SPARE PARTS

BORING BARS 內徑車刀  
TOOL HOLDERS 外徑車刀  
THREADING & GROOVING 牙刀 & 開槽刀  
MILLING 銑刀  
BORING TOOLS COMPONENTS 孔加工  
SPARE PARTS 配件

Description	GRADE 材質								Insert Shape	Dimensions,mm					
	UE6020	US735	UC5105	VP15TF	NX2525	HT110	TCH9025	H01		CD10	TN60	A	s	d	r
CCMT060204				●		○						6.35	2.38	2.8	0.4
CCMT080304				○								7.94	3.18	3.4	0.4
CCMT09T304				○		○						9.525	3.97	4.4	0.4
CCMT09T308				○		○						9.525	3.97	4.4	0.8
CCMT120408				○		○						12.7	4.76	5.5	0.8
CCGT03S102 R/L F				○		○						3.57	1.39	2.0	0.2
CCGT04T004 R/L F				○		○						4.37	1.79	2.4	0.4
CCGT030102 R/L F										○		3.5	1.4	1.9	0.2
CCGT040104 R/L F										○		4.3	1.8	2.3	0.4
CCGT060204AK									○			6.35	2.38	2.8	0.4
CCGT09T304AK									○			9.525	3.97	4.4	0.4
CCGT09T308AK									○			9.525	3.97	4.4	0.8
CCGT060204AL										○		6.35	2.38	2.8	0.4
CCGT09T304AL										○		9.525	3.97	4.4	0.4
CCGT09T308AL										○		9.525	3.97	4.4	0.8
CPMT060204LF												6.35	2.38	2.8	0.4
CPMH080204MV				○								7.94	2.38	3.4	0.4
CPMH090304MV				○								9.525	3.18	4.5	0.4
CPMH090308MV				○								9.525	3.18	4.5	0.8
DCMT070204				○		○						6.35	2.38	2.8	0.4
DCMT11T304				○		○						9.525	3.97	4.4	0.4
DCMT11T308				○								9.525	3.97	4.4	0.8
DCMT070204MV				○								6.35	2.38	2.8	0.4
DCMT11T304MV		○		○								9.525	3.97	4.4	0.4
DCGT070204AK									○			6.35	2.38	2.8	0.4
DCGT11T304AK									○			9.525	3.97	4.4	0.4
DCGT070204AL										○		6.35	2.38	2.8	0.4
DCGT11T304AL										○		9.525	3.97	4.4	0.4
RCMT0502MO												5	2.38	2.5	-
RCMT0602MO												6	2.38	2.8	-
RCMT0803MO												8	3.18	3.4	-
RCMX1003MO												10	3.18	3.6	-
SCMT09T304EN									○			9.525	3.97	4.4	0.4





Description	GRADE 材質								Insert Shape	Dimensions,mm				
	T1200	US735	PR930	VP15TF	NX2525	HT110	TN60	H01		CD10	A	s	d	r
TBGT060102L											3.97	1.59	2.3	0.2
TBGT060104L											3.97	1.59	2.3	0.4
TBGT060102LW	○										3.97	1.59	2.2	0.2
TBGT060104LW	○										3.97	1.59	2.2	0.4
TCGT060102LF				○	○						3.97	1.59	2.3	0.2
TCMT090204				○	○						5.56	2.38	2.5	0.4
TCMT110204				○	○						6.35	2.38	2.8	0.4
TCMT16T304				○		○					9.525	3.97	4.4	0.4
TCMT16T308				○		○				9.525	3.97	4.4	0.8	
TCGT110204AK									○		6.35	2.38	2.8	0.4
TCGT16T304AK								○	○		9.525	3.97	4.4	0.4
TCGT16T308AK								○	○		9.525	3.97	4.4	0.8
TCGT110204AL									○		6.35	2.38	2.8	0.4
TCGT16T304AL									○	○	9.525	3.97	4.4	0.4
TCGT16T308AL									○	○	9.525	3.97	4.4	0.8
TPMH080204MV				○							4.76	2.38	2.4	0.4
TPMH090204MV				○							5.56	2.38	2.9	0.4
TPMH110304MV				○							6.35	3.18	3.4	0.4
TPMH160304MV				○							9.525	3.18	4.4	0.4
TPMH160308MV				○						9.525	3.18	4.4	0.8	
TPMT16T304-24											9.525	3.97	4.4	0.4
TPMT160404NFK											9.525	4.76	4.4	0.4
TPGH080202LFS				○	○						4.76	2.38	2.4	0.2
TPGH080204LFS				○	○						4.76	2.38	2.4	0.4
TPGH090202LFS				○	○						5.56	2.38	2.9	0.2
TPGH090204LFS				○	○						5.56	2.38	2.9	0.4
TPGH110302LFS				○	○					6.35	3.18	3.3	0.2	
TPGH110304LFS				○	○					6.35	3.18	3.3	0.4	
TPGH160304LFS					○	○				9.525	3.97	4.4	0.4	
TPGH160308LFS					○	○				9.525	3.97	4.4	0.8	
TPGX080202L					○	○					4.76	2.38	2.4	0.2
TPGX080204L					○	○					4.76	2.38	2.4	0.4
TPGX090202L					○	○	○				5.56	2.38	2.9	0.2
TPGX090204L					○	○	○				5.56	2.38	2.9	0.4
TPGX110302L					○	○	○			6.35	3.18	3.3	0.2	
TPGX110304L					○	○	○			6.35	3.18	3.3	0.4	
TPGH080202L											4.76	2.38	2.4	0.2
TPGH080204L											4.76	2.38	2.4	0.4
TPGH090202L											5.56	2.38	2.9	0.2
TPGH090204L				○				○			5.56	2.38	2.9	0.4
TPGH110302L										6.35	3.18	3.3	0.2	
TPGH110304L				○				○		6.35	3.18	3.3	0.4	

內徑車刀  
BORING BARS

外徑車刀  
TOOL HOLDERS

牙刀 & 開槽刀  
THREADING & GROOVING

銑刀  
MILLING

孔加工  
BORING TOOLS COMPONENTS

配件  
SPARE PARTS

BORING BARS  
內徑車刀

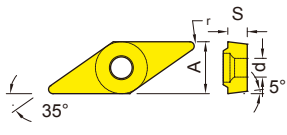
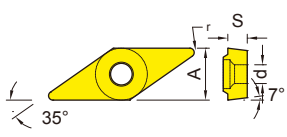
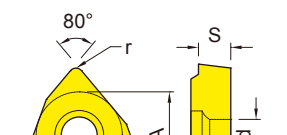
TOOL HOLDERS  
外徑車刀

THREADING & GROOVING  
牙刀 & 開槽刀

MILLING  
銑刀

BORING TOOLS COMPONENTS  
孔加工

SPARE PARTS  
配件

Description	GRADE 材質								Insert Shape	Dimensions,mm				
	T1200	US735	PR930	VP15TF	NX2525	HT110	TN60	H01		CD10	A	s	d	r
VBMT110304MV					○						6.35	3.18	2.85	0.4
VBMT160404MV		○									9.525	4.76	4.43	0.4
VBMT160408MV		○									9.525	4.76	4.43	0.8
VBMT110304HQ							○				6.35	3.18	2.8	0.4
VBMT160404HQ							○				9.525	4.76	4.4	0.4
VBMT160408HQ							○				9.525	4.76	4.4	0.8
VCMT080204MV		○									4.76	2.38	2.4	0.4
VCMT110304		○									6.35	3.18	2.8	0.4
VCMT160404		○									9.525	4.76	4.4	0.4
VCMT160408		○									9.525	4.76	4.4	0.8
VCGT110304AL									○		6.35	3.18	2.8	0.4
VCGT160404AL									○		9.525	4.76	4.4	0.4
VCGT160408AL									○	9.525	4.76	4.4	0.8	
VCGT220530AL										12.7	5.56	5.5	3.0	
WBMT060104L-DP							○				3.97	1.59	2.3	0.4
WBGT060104LF							○				3.97	1.59	2.3	0.4
WBMT060104R-DP							○				3.97	1.59	2.3	0.4
WBGT060104RF							○				3.97	1.59	2.3	0.4
WCMT020104											3.97	1.59	2.3	0.4
WCGT020102L					○						3.97	1.59	2.3	0.4